



BDOP and BDO

White plastic valves used in extraction or blowing and in single flow or double flow VMC installations.

When blowing, the direction and the distance of the airflow can be adjusted. BDOP model includes a BDO + a connexion sleeve with anchors to mount on plasterboard. It can be fitted with an airflow regulator on the sleeve (BDOP 80 and 125 models) or on the ducting (100, 160 and 200 BDO models).

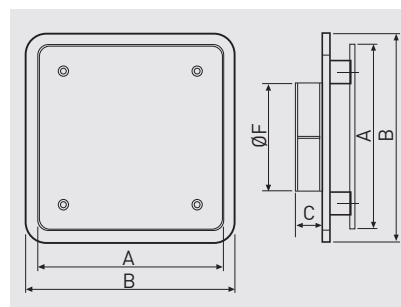
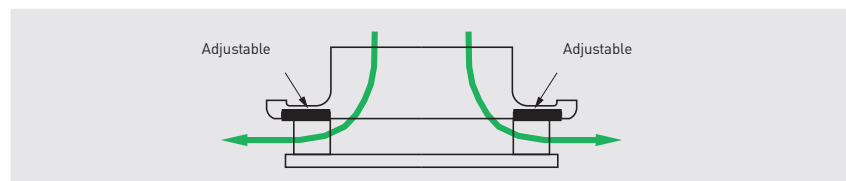
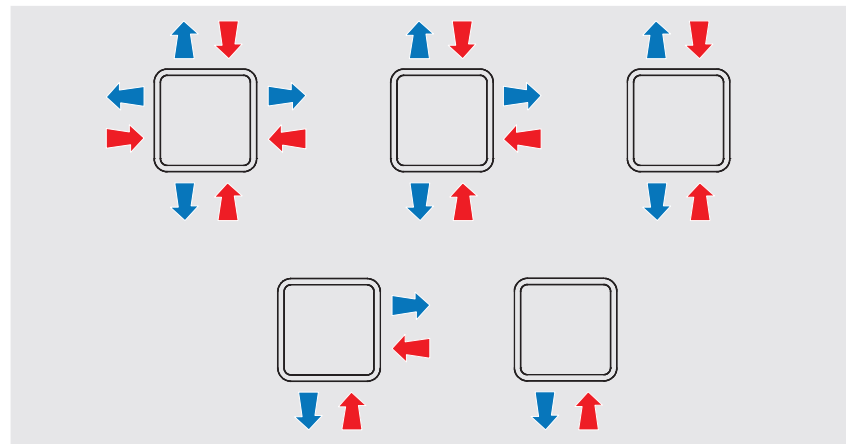
Model	Ø Outlet (mm)	Airflow* (m³/h)	Connector
BDO 100	100	15 - 75	Sleeve mounting
BDO 160	160	120 - 240	Sleeve mounting
BDO 200	200	240 - 350	Sleeve mounting

* Flow rate of extraction and blowing without the side flaps.

Model	Ø Outlet (mm)	Airflow* (m³/h)	Connector
BDOP 80	80	15 - 60	Height 100 mm - 3-claw mounting connector
BDOP 100	100	15 - 75	Height 150 mm - 3-claw mounting connector
BDOP 125	125	45 - 150	Height 100 mm - 3-claw mounting connector
BDOP 160	160	120 - 240	Height 150 mm - 3-claw mounting connector
BDOP 200	200	240 - 350	Height 150 mm - 3-claw mounting connector

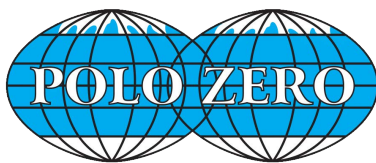
* Flow rate of extraction and blowing without the side flaps.

Possible airflow direction



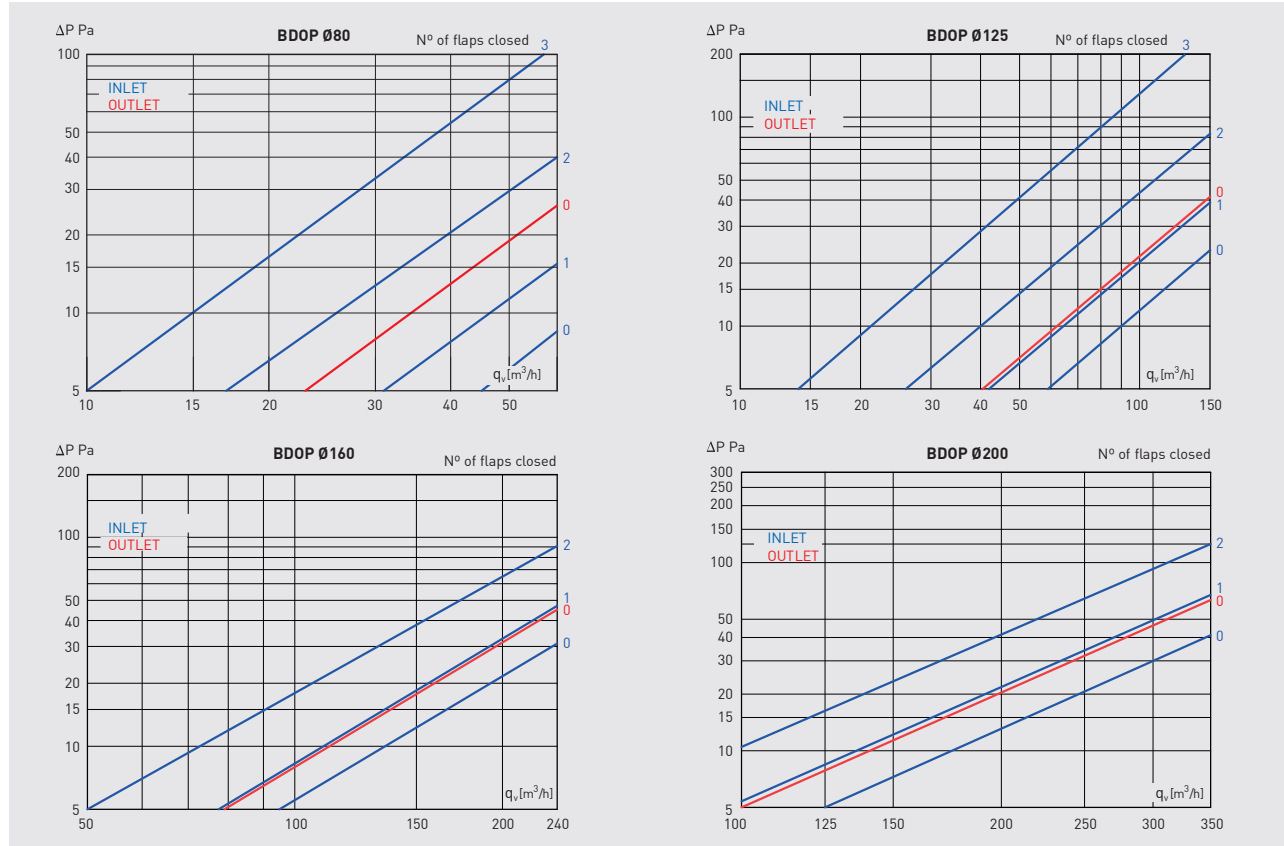
BDOP-BDO	A	B	C	ØF
80	136	151	20,0	80
100	185	205	30,0	100
125	185	205	30,0	125
160	230	250	36,8	160
200	275	300	45,8	200

* Dimensions in mm.



COMPONENTES PARA REFRIGERAÇÃO, LDA.

Technical characteristics



BDOP	qv [m³/h]	OUTLET		INLET							
		Without baffle		Without baffle		1 baffle		2 baffles		3 baffles	
		ΔP (Pa)	Lw (dB(A))	ΔP (Pa)	Lw (dB(A))	ΔP (Pa)	Lw (dB(A))	ΔP (Pa)	Lw (dB(A))	ΔP (Pa)	Lw (dB(A))
80	15	2	24	1	23	2	24	3	24	8	24
	30	6	24	3	23	5	24	11	24	30	36
	45	12	25	7	24	11	25	23	27	66	35
125	45	4	24	3	23	5	24	10	24	28	25
	60	7	25	5	25	8	26	17	28	49	33
	75	11	27	8	27	13	28	26	32	73	39
	90	15	29	11	28	18	30	36	35	101	44
	120	39	31	18	31	31	34	63	40		
	150	39	35	28	36	48	39	97	47		
160	120	13	<20	9	23	15	21	30	32		
	150	18	24	12	26	18	28	35	37		
	180	26	29	18	32	27	33	50	42		
	200	32	32	22	34	33	37	62	44		
	210	35	33	24	36	36	38	69	46		
	240	45	37	31	40	47	42	91	49		
200	125	8	<20	5	<20	8	23	17	32		
	150	12	23	8	21	12	26	24	36		
	240	30	29	20	28	32	32	59	43		
	270	37	32	24	31	40	36	74	48		
	300	46	36	30	34	50	39				
	350	63	40	41	39	67	44				

BDOP	INLET				
	Air range (for Vt = 0.25 m/s) installed on the ceiling				
	qv [m³/h]	Vk (m/s)	Lt (m) DT = 0°C	Lt (m) DT = -5°C	Lt (m) DT = -10°C
80	15	0,8	0,8	0,4	0,3
	30	1,7	1,1	0,9	0,6
	45	2,5	1,8	1,5	1,1
	45	1	0,5	0,4	0,3
125	60	1,4	1	0,8	0,6
	75	1,7	1,4	1,1	0,8
	90	2	2,1	1,8	1,3
	120	2,7	3,3	2,9	2,1
	150	3,4	4	3,8	2,7
	120	1,7	2,8	2,3	1,6
160	150	2,1	3,7	3,1	2,2
	180	2,5	4,1	3,6	2,6
	200	2,8	4,2	3,8	2,7
	210	2,9	4,5	4,1	2,9
	240	3,3	5	4,7	3,3
	240	2,1	4,2	3,6	2,5
200	270	2,4	4,5	3,9	2,8
	300	2,7	4,7	4,2	3
	350	3,1	4,9	4,5	3,2

Vk: Air flow rate at the valves outlet mouth (in m/s)
Vt: Terminal speed (in m/s)
Lt: Airflow range (m)

